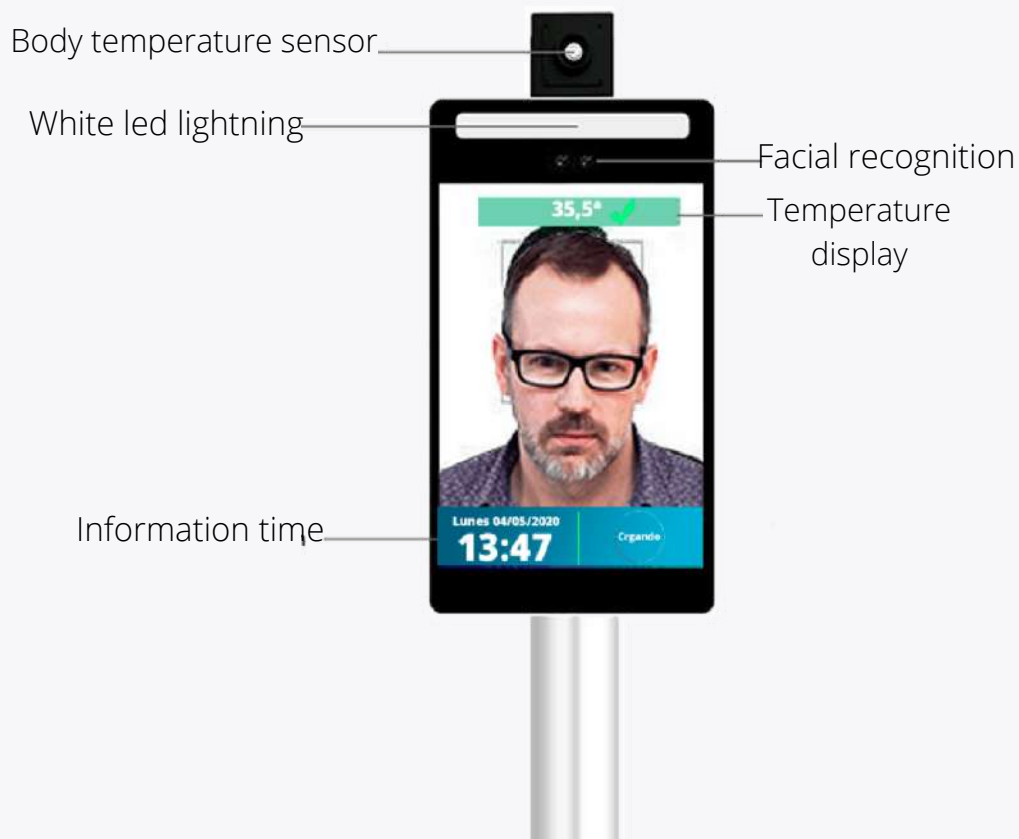


Cov

Description of the Cov Cam series all-in-one face recognition and temperature.



1. **Application scenario:**

It is suitable for office areas, hotels, doorways, office buildings, schools, shopping malls, shops, communities, utilities, and management projects that require direct access control.

2. **Product Features:**

- Dynamic dual camera anti-counterfeiting, completely solves the deception of multiple photos on multiple carriers;
- Night infrared, RGB dual fill light;
- Supports external access card reader, ID card reader, temperature measurement module;
- Supports RS-485 serial port, Wiegand 26/34 output interface, support relay, output switch, door magnetic output content;
- Supports the device to store historical records of 50,000 people locally;
- The facial database is 10,000;
- Supports deployment methods of public and local area networks;
- HTTP interface connection support;
- Support screen display content settings;
- Support recognition distance setting

Face recognition body temperature screening all-in-one machine			
Product model		F2-H	
Product Features	Main function	Face recognition temperature measurement	
	Use environment	Indoor and outdoor	
	Color	Silver	
Camera	Types	RGB	Infrared
	Resolution	2 million pixels	2 million pixels
	Aperture	F2.8	F2.8
	Focal length	3.18mm	3.18mm
	Software Wide Dynamic	Automatic	Automatic
	Vertical wide angle	84°	84°
	Horizontal wide angle	54°	54°
	Infrared fill light	Support	
	White fill light	Support	
Core	Android	Android7.1	
parameter	CPU	4core, 1.8GHZ	
	Storage	2G memory, 8G storage	
Human-computer interaction	Display	8 inches, full viewing angle, 170 ° IPS LCD screen, resolution 800 * 1280	
	Touch screen	Support	
	Human induction module	Support	
	Human body temperature measurement module	Support, serial / I2C interface	
	Card reader	Support, optional	
Communication the way	Ethernet	10/100/1000Mbps Ethernet	
	WIFI	Comply with IEEE802.11b / g / n standard (2.4G)	
Identification method	Human face	Support	
	IC card	Support, optional	
	ID card	Support, optional	
Input \ output interface	RJ45 interface	Support 10/100 / 1000Mbps	
	Power interface	DC12V-2A	
Power	Adapter	DC12V-2A	
Environmental requirements	Operating temperature	-20℃~60℃	
	Working humidity	20% to 90%(In a non-condensing state)	
	Static protection level	IEC61000-4-2,LEVEL3	
External interface definition			
Type	Port	Explanation	
USB	USB 2.0	Support	
Network port	RJ45	Support 1000Mbps	

Relay	NC COM NO	The relay is normally closed / common / normally open. Generally, the door lock power supply is positively connected to the COM terminal, and then according to the door lock type, the relay power supply is negatively connected to the NO port or the NC port. Note: The maximum load of the relay contact is 2A
Gate sensor	IN GND	Check the door opening and closing status, input
Exit button	PUSH1	Key to open the door control signal, input
	GND	
Serial port	RX TX	Serial port 485 support
Output power	5V GND	Support device output 5V
Wiegand	WG_D1 WG_D0 GND	Wiegand output interface, support 26bit / 34bit protocol
Input power	GND 12V+	Power input: 12V DC

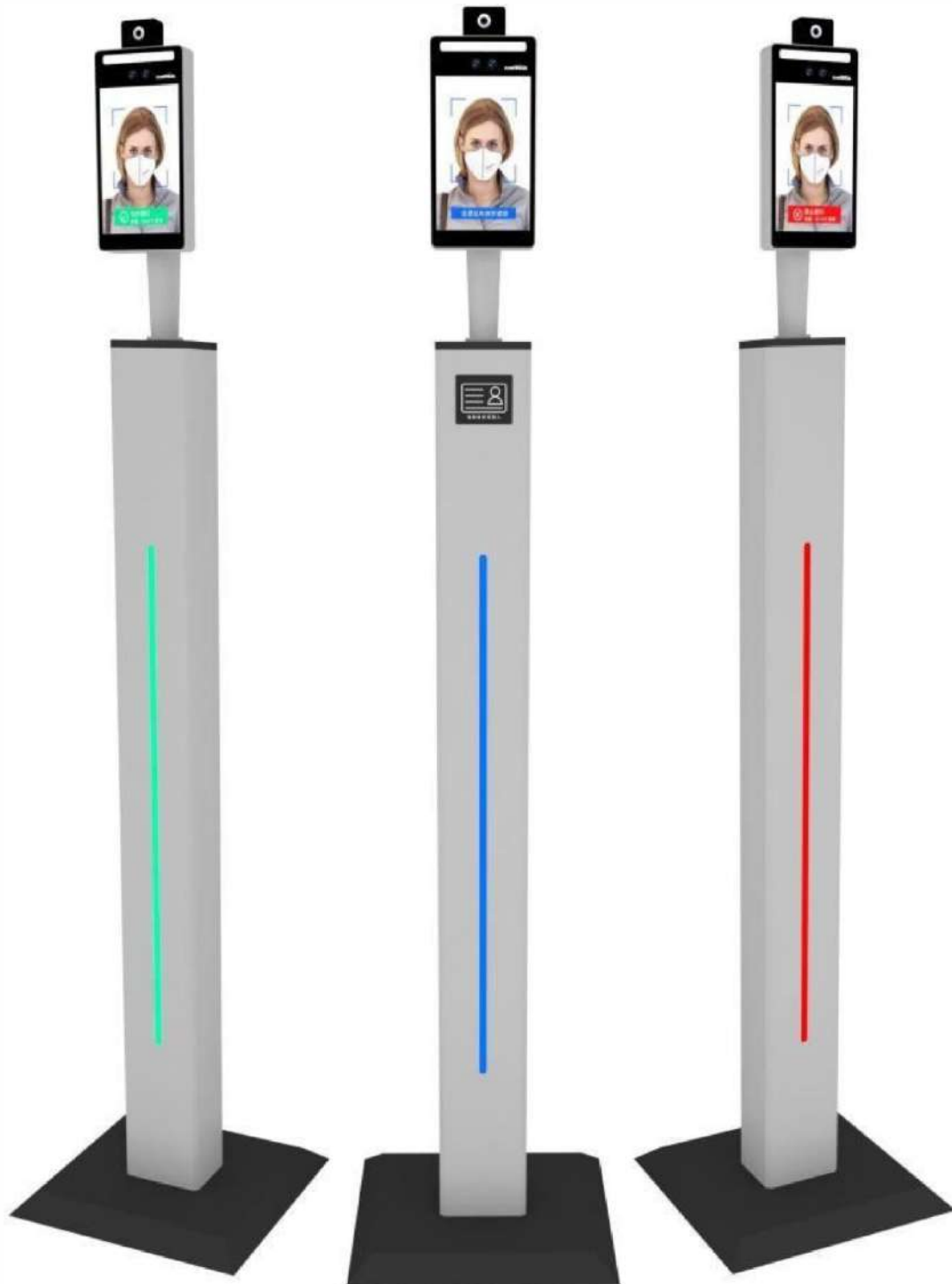
Precautions:

1. The following describes only the serial temperature measurement module;
2. The interface temperature measurement module is not described here, and the shape is rectangular;

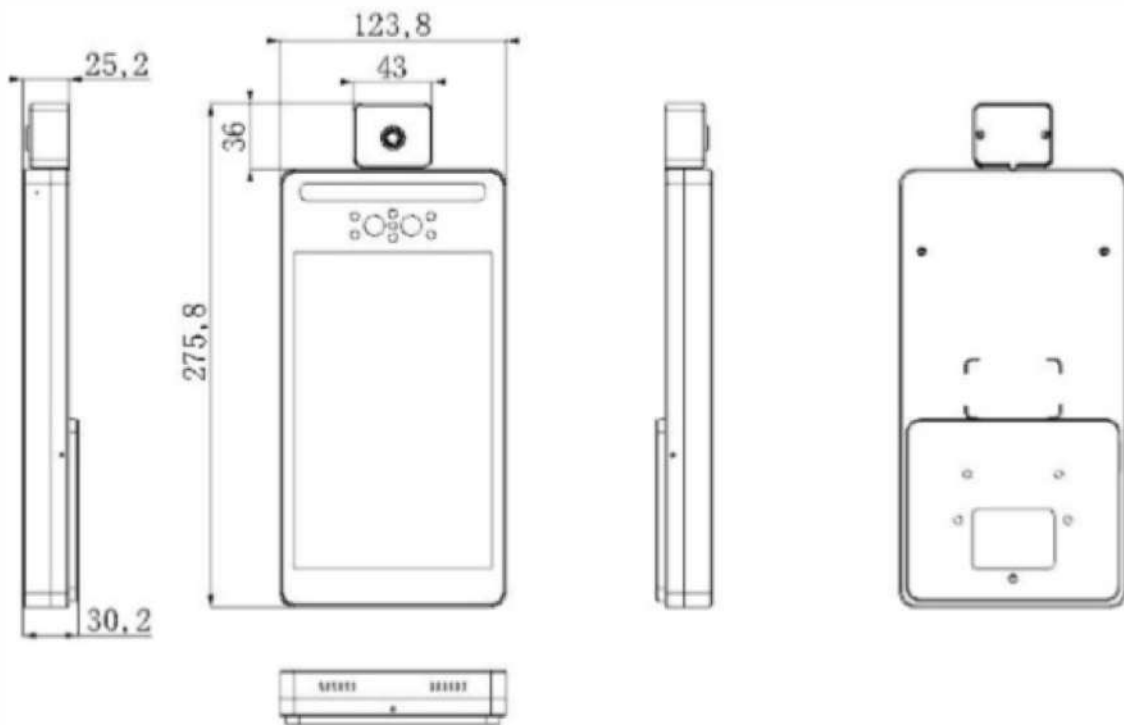
① Wall version



② Gate version



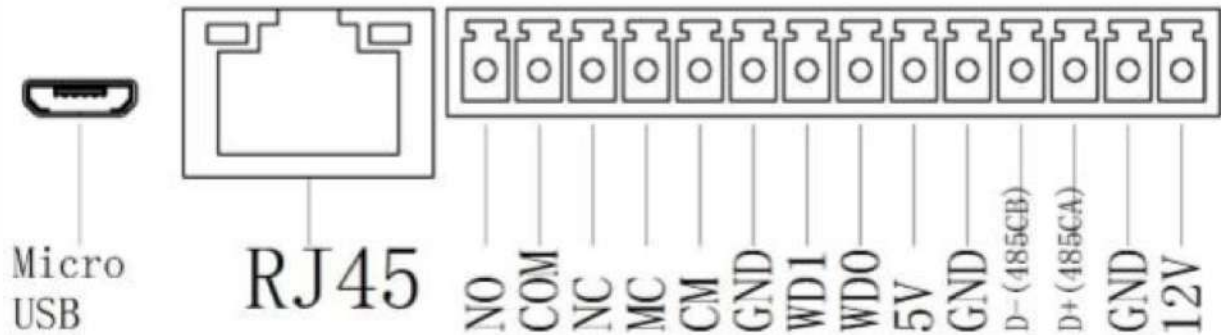
1. Shape and size of wall mounted version (275.8mm * 123.8mm * 30.2mm)



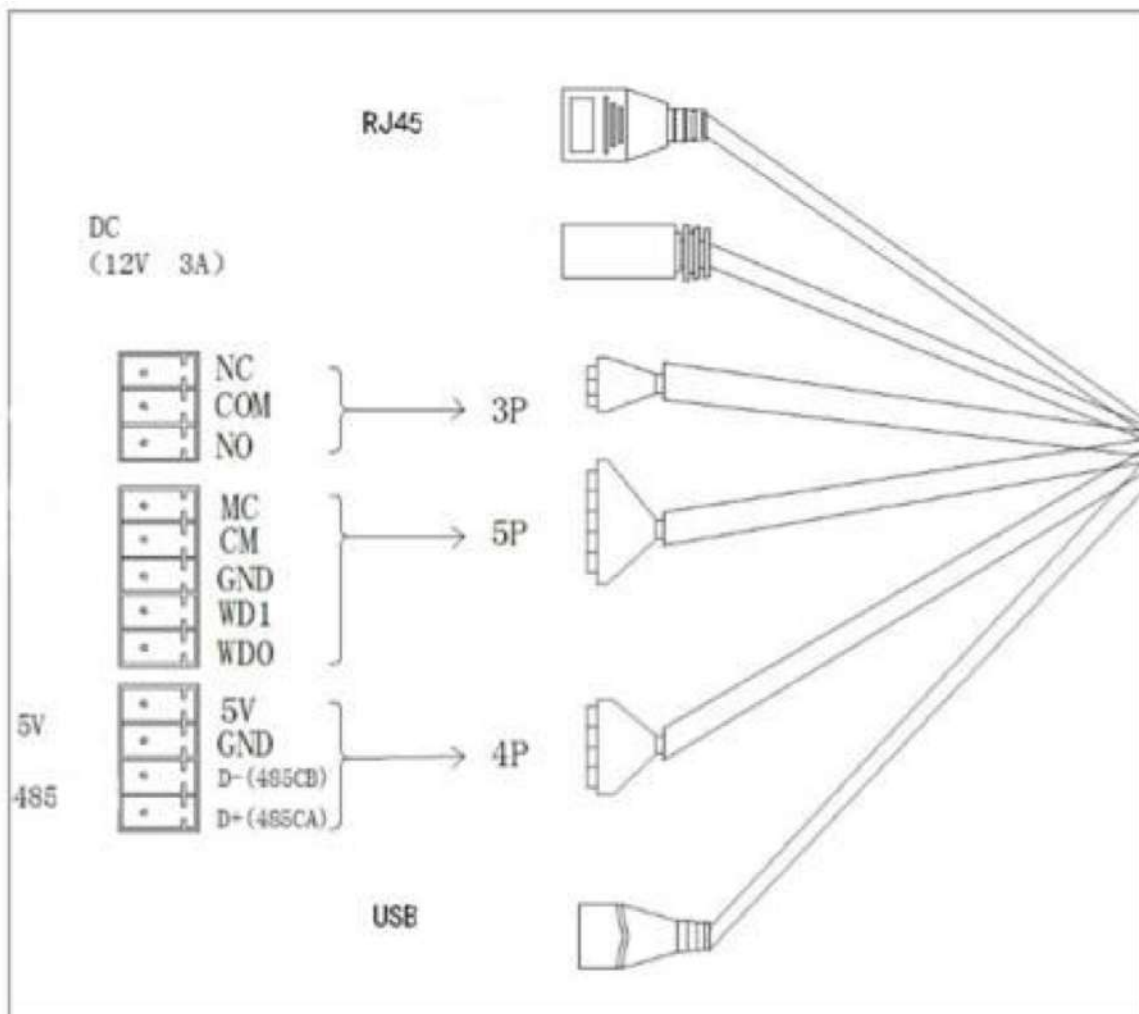
Appearance parts indications and wiring instructions



2. Access Control wall mount version wiring instructions



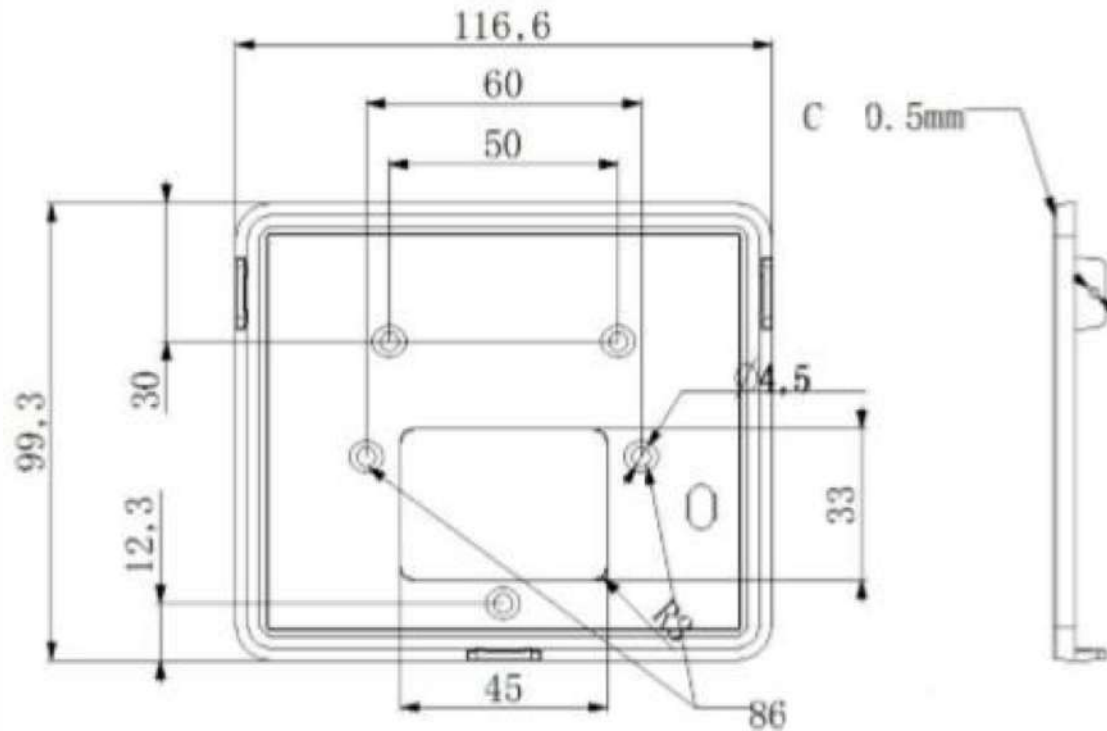
3. Wiring Instructions for Integrated Wire Harness on Access Control Door Version



Installation steps:

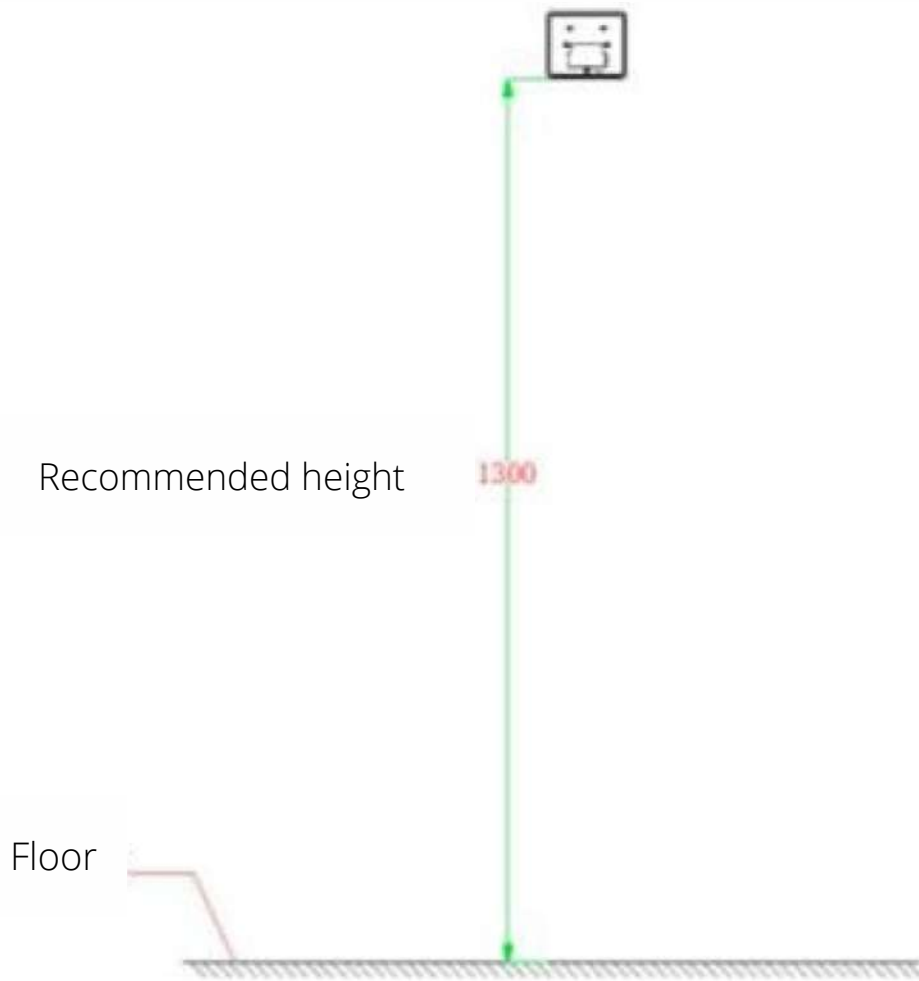
- Installation of the wall mounted access control version.

Description of the dimensions of the wall bracket;

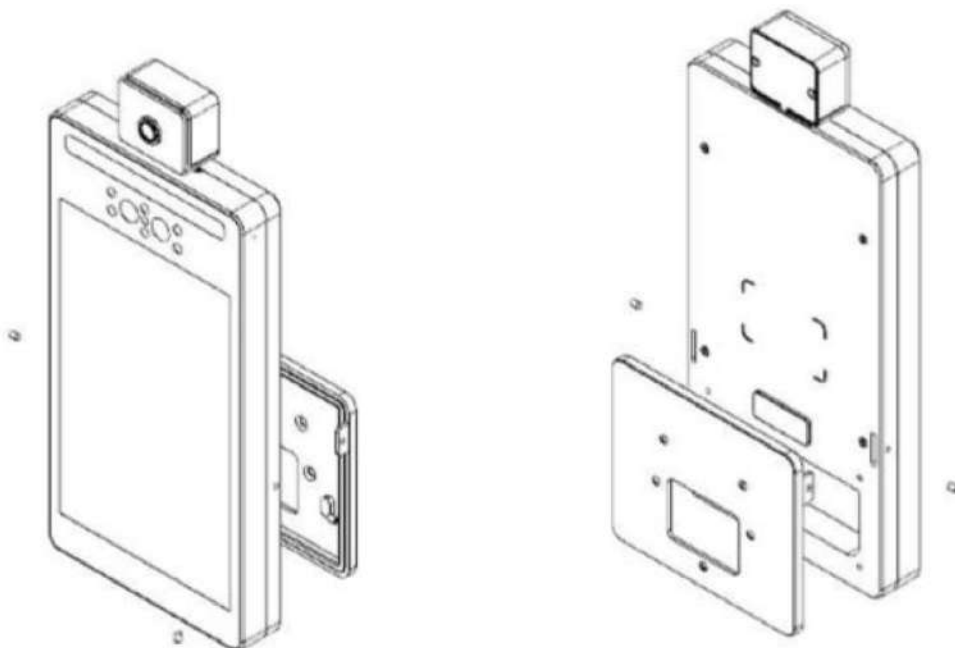


Note: The product package is delivered with a box of 86 machine screws and plastic expansion screws;

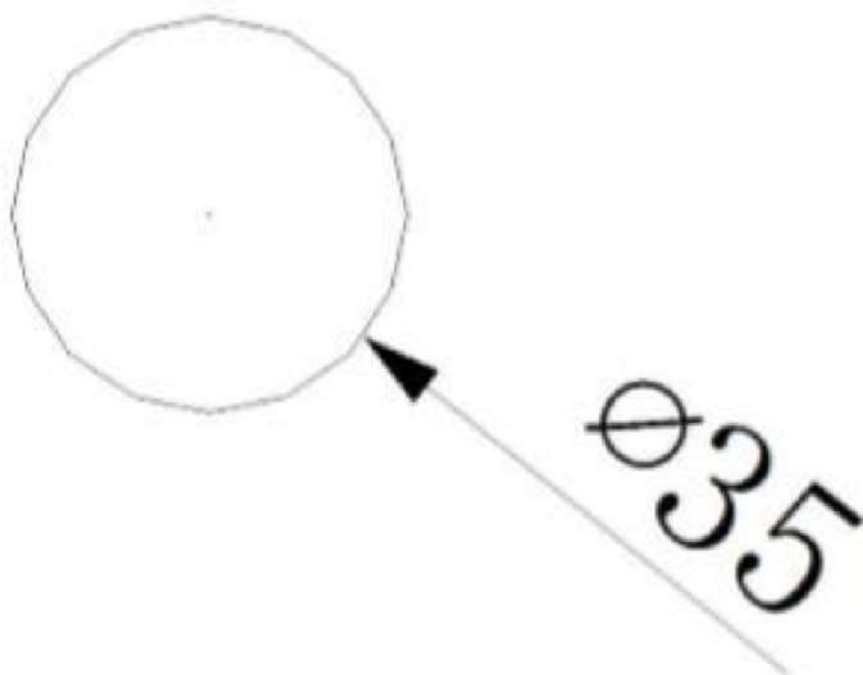
2. Wall Mount Installation Position Description



3. Fixing method of the hanging bracket and product terminal;



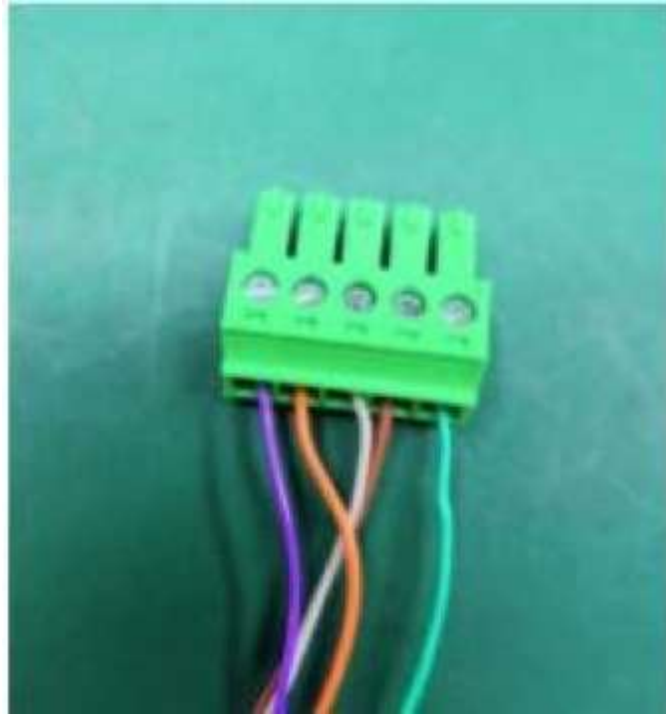
Note: Use three M3 * 5 set screws to fix the terminal. Access Control Version Installation The gate mounting hole must be drilled with a $\varnothing 35$ through hole, and the GB812 nut can be used to secure the post.



Wiring operating instructions (eg. door line is an example, other wiring can be done by genealogy)



- Insert the screws into each corresponding interface of the Panasonic row.
- Insert the end of the metal cable into the hole, tighten the screws to fix them, and remember all the most extensible after locking, to ensure stability. As shown in the picture.

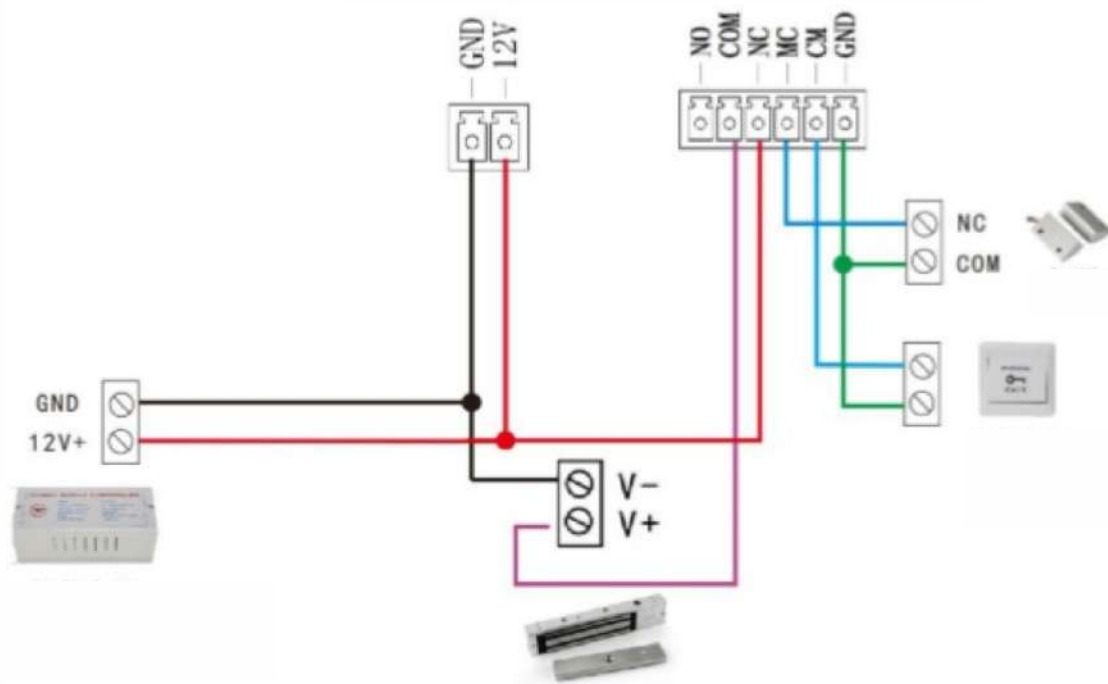
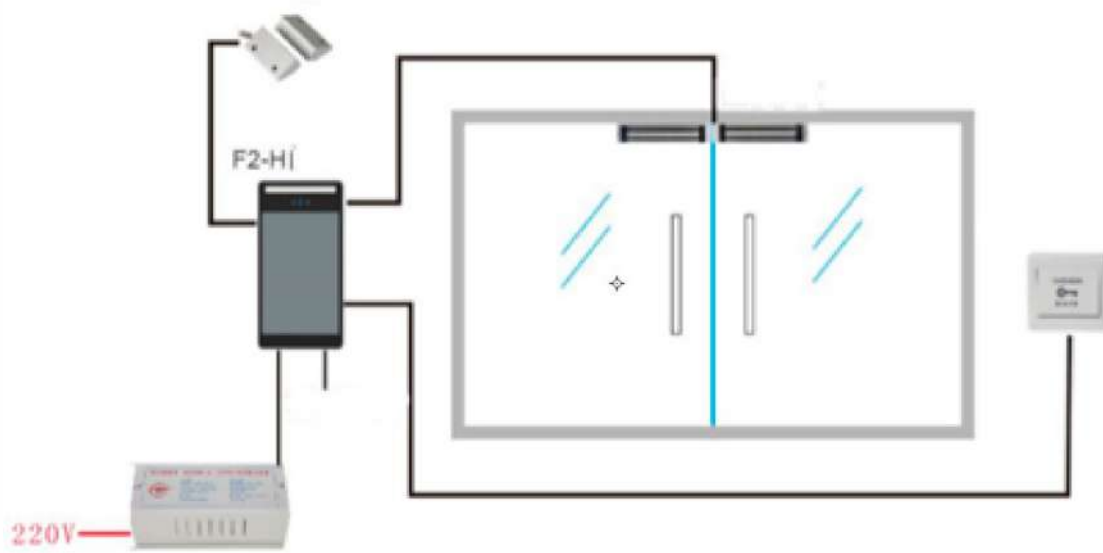


Access controls, machine packaging and instructions

① Material / Tool list

NO.	Material / tool name	Dosage	Explanation
1	Host and its own accessories	1	Accessories including: 12V adapter, wall bracket, expansion tube, self-tapping screws, allen wrench, allen screws
2	Exit switch (optional: outsourcing required)	1	Use when going out (no need to re-equip if it already exists)
3	Electromagnetic lock (optional: outsourcing required)	1	Open the door after power off, and lock the door (if there is no need to reconfigure)
4	Magnetic lock power supply (optional: outsourcing required)	1	Power supply to electromagnetic lock, which can supply power to Uface host at the same time (If you already have it, you don't need to re-allocate)
5	Network cable (optional: outsourcing required)	Several	Used to arrange Ethernet and other remaining wiring
6	Network cable pliers, network tester, diagonal pliers, electrical tape, wire buckle	Several	Used to arrange Ethernet and other remaining wiring
7	Drilling tools	Several	Used for equipment installation and wiring

② Magnetic door wiring



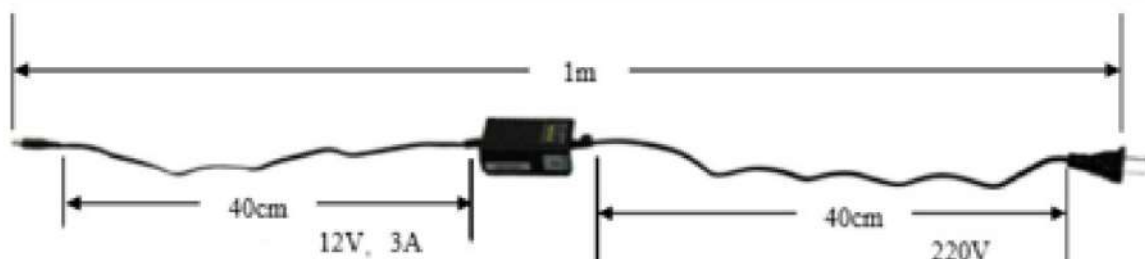
Installation precautions

① During actual wiring, if the host 12V power supply line does not use the "special power supply extension line" and the distance is long, which makes the equivalent resistance of the cable too large, it is prone to insufficient terminal voltage ($\leq 11V$), the host repeatedly reboots and hangs any other abnormal phenomena.

② This device has a built-in relay device, the maximum charging voltage of its magnetic lock (or other access control unit) cannot exceed DC12V, and the maximum current cannot exceed 3A. If it is exceeded, the relay will break down, resulting in a failure to open the door.

③ The device comes with a power adapter as shown in the figure, with a total length of 1 meter, of which the power cable (weak part) measures 40 cm and the power cable (high voltage part) measures 40 cm .

④ The extension of the power cable (weak current part) must not exceed 3 meters, otherwise it will cause insufficient power supply to the host end of the device and abnormal phenomena such as repeated restarts and crashes. If the power supply is far from the device, the power cable (strong electrical part) can be extended.



⑤ If you use other adapters, such as 9V, 1A, insufficient voltage and low current will cause the device to restart repeatedly.

⑥ The cable used should not be too thin (such as a thin network cable). It is recommended to connect multiple wires of the same cable in parallel or use thick copper cables to ensure that the voltage is greater than 11V.

Note: If you use a network cable, use 4 wires of network cable as the positive pole and 4 wires as the negative pole.

⑦ If it is not clear how to extend it, please contact the supplier to replace the "dedicated power extension cord".